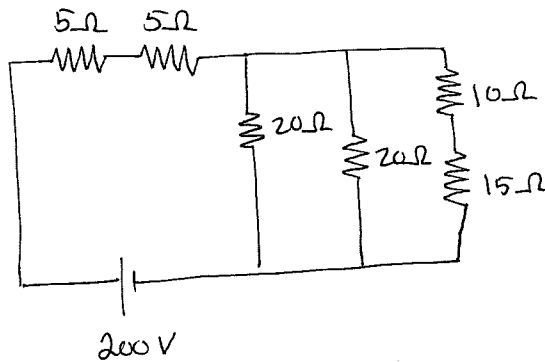


Please answer all problem on a separate sheet of paper. Work will only be graded if it is written legibly and the answers are boxed. All assignments are due at the beginning of lecture every day.

1. You have a 20Ω and a 80Ω resistor in a circuit with a $100V$ battery.
 - (a) Draw the circuit where the two resistors are in parallel and find the current and voltage drop across each.
 - (b) Draw the circuit where the two resistors are in series and find the current and voltage drop across each.
2. (a) Determine the equivalent resistance of the circuit.



- (b) Determine the current being delivered by the battery.
 - (c) Determine the power being dissipated by each resistor.
3. Use Kirchoff's Laws to find i_1 , i_2 and i_3 .

